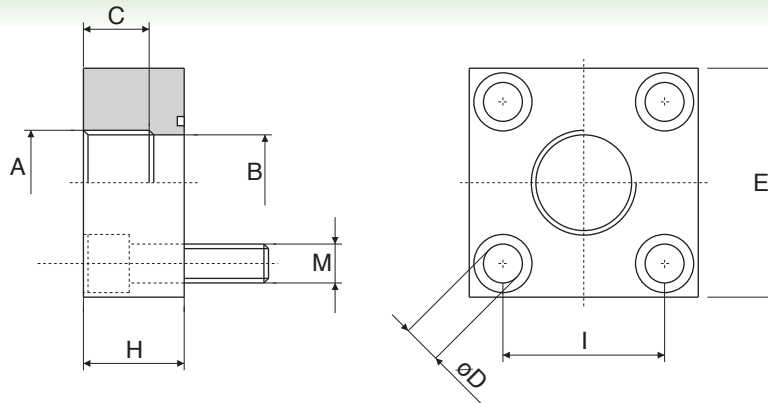


# Flange CETOP filettate



CETOP threaded flanges  
Brides CETOP taraudées  
CETOP Gewindeflansch



## serie 250 bar

Pressione max esercizio bar	Tipo / Type		Size	A	B	C	D		E	H	I		M		OR O-RINGS
	GAS	NPT					CETOP	SID			CETOP	SID	CETOP	SID	
250	FC.23813-G	FC.23814-N	3/8"	1/4"	10	12	7	7	40	23	24,7	24,7	M 6 x 25	M 6 x 25	3068
	FC.23817-G	FC.23818-N		3/8"	12	13									
250	FC.21217-G	FC.21218-N	1/2"	3/8"	13	13	9	7	45	32	29,7	30	M 8 x 35	M 6 x 35	4075
	FC.21221-G	FC.21222-N		1/2"	14	15									
250	FC.23421-G	FC.23422-N	3/4"	1/2"	18	15	9	9	50	32	35,3	35,3	M 8 x 35	M 8 x 35	4100
	FC.23427-G	FC.23428-N		3/4"	20	18									
250	FC.21027-G	FC.21028-N	1"	3/4"	22	18	11	11	65	36	43,8	43,8	M10 x 40	M10 x 40	4131
	FC.21034-G	FC.21035-N		1"	25	20									
250	FC.21434-G	FC.21435-N	1 1/4"	1"	28	20	13	13	75	38	51,6	51,6	M12 x 45	M12 x 45	4150
	FC.21442-G	FC.21443-N		1 1/4"	32	22									
250	FC.21242-G	FC.21243-N	1 1/2"	1 1/4"	36	22	15	13	85	42	60	60	M14 x 50	M12 x 50	4187
	FC.21249-G	FC.21250-N		1 1/2"	38	24									
250	FC.22049-G	FC.22050-N	2"	1 1/2"	43	24	17	15	100	44	69,4	68	M16 x 55	M14 x 50	4225
	FC.22060-G	FC.22061-N		2"	47	27									
250	FC.23060-G	FC.23061-N	2 1/2"	2"	47	27	21	19	120	48	83,4	85	M20 x 60	M18 x 60	4275
	FC.23075-G	FC.23076-N		2 1/2"	63	30									
250	FC.24075-G	FC.24076-N	3"	2 1/2"	63	30	21	23	140	55	102,5	95	M20 x 70	M22 x 70	4337
	FC.24090-G	FC.24091-N		3"	76	30									

## serie 400 bar

Pressione max esercizio bar	Tipo / Type		Size	A	B	C	D	E	H	I	M	OR O-RINGS
	GAS	NPT										
400	FC.43813-G	FC.43814-N	3/8"	1/4"	10	12	7	40	23	24,7	M 6 x 25	3068
	FC.43817-G	FC.43818-N		3/8"	12	13						
400	FC.41217-G	FC.41218-N	1/2"	3/8"	13	13	9	45	32	29,7	M 8 x 35	4075
	FC.41221-G	FC.41222-N		1/2"	14	15						
400	FC.43421-G	FC.43422-N	3/4"	1/2"	18	15	9	50	32	35,3	M 8 x 35	4100
	FC.43427-G	FC.43428-N		3/4"	20	18						
400	FC.41027-G	FC.41028-N	1"	3/4"	22	18	11	65	36	43,8	M10 x 40	4131
	FC.41034-G	FC.41045-N		1"	25	20						
400	FC.41434-G	FC.41435-N	1 1/4"	1"	28	20	13	75	38	51,6	M12 x 45	4150
	FC.41442-G	FC.41443-N		1 1/4"	32	22						
400	FC.41242-G	FC.41243-N	1 1/2"	1 1/4"	36	22	15	85	42	60	M14 x 50	4187
	FC.41249-G	FC.41250-N		1 1/2"	38	24						
400	FC.42049-G	FC.42050-N	2"	1 1/2"	43	24	17	100	44	69,4	M16 x 55	4225
	FC.42060-G	FC.42061-N		2"	47	27						
400	FC.43060-G	FC.43061-N	2 1/2"	2"	47	27	21	120	48	83,4	M20 x 60	6275
	FC.43075-G	FC.43076-N		2 1/2"	63	30						
400	FC.44075-G	FC.44076-N	3"	2 1/2"	63	30	21	140	55	102,5	M20 x 70	6337
	FC.44090-G	FC.44091-N		3"	76	30						

Per ordinare le flange, specificare se CETOP o SID  
Ordering flanges, specify if CETOP or SID  
Pour commander brides, indiquer s'il vous plait si CETOP ou SID  
Um Flansche zu bestellen, bitte CETOP oder SID Ausführung angeben

Es.: CETOP FC.....GM  
Es.: SID FC.....GM