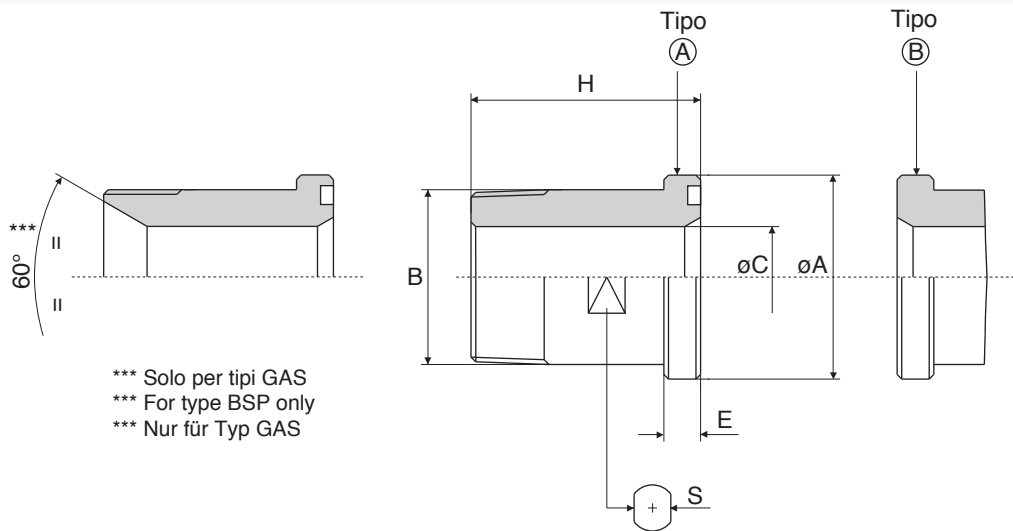


Coduli filettati GAS-GAS CONICO-NPT per flange CETOP/ISO 6164 - '94



BSP and NPT threaded adaptors for CETOP/ISO 6164 - '94 flanges
 Collets taraudés BSP-NPT pour brides CETOP/ ISO 6164 - '94
 CETOP/ ISO 6164 - '94 Adapter mit Rohrgewinde oder NPT-Gewinde



serie 210 bar

Pressione max esercizio bar	Tipo / Type			Size	B	C	A	E	H	S	OR O-RINGS
	GAS	GAS CONICO	NPT								
210	C.302521.G	C.302522.GC	C.302523.N	1/2"	1/2"	12	30,2	6,7	50	19	4075
	C.302517.G	C.302518.GC	C.302519.N		3/8"	10					
210	C.312527.G	C.312528.GC	C.312529.N	3/4"	3/4"	17	38,1	6,7	55	27	4100
	C.312521.G	C.312522.GC	C.312523.N		1/2"	12					
210	C.322533.G	C.322534.GC	C.322535.N	1"	1"	22	44,4	8	60	32	4131
	C.322527.G	C.322528.GC	C.322529.N		3/4"	17					
210	C.332542.G	C.332543.GC	C.332544.N	1" 1/4	1" 1/4	27	50,8	8	65	41	4150
	C.332533.G	C.332534.GC	C.332535.N		1"	22					
210	C.342548.G	C.342549.GC	C.342550.N	1" 1/2	1" 1/2	32	60,3	8	70	46	4187
	C.342542.G	C.342543.GC	C.342544.N		1" 1/4	27					
210	C.352560.G	C.352561.GC	C.352562.N	2"	2"	40	71,4	9,5	75	55	4225
	C.352548.G	C.352549.GC	C.352550.N		1" 1/2	32					

serie 400 bar

Pressione max esercizio bar	Tipo / Type			Size	B	C	A	E	H	S	OR O-RINGS
	GAS	GAS CONICO	NPT								
400	C.420021.G	C.420022.GC	C.420023.N	1/2"	1/2"	12	31,8	7,7	50	19	4075
	C.420017.G	C.420018.GC	C.420019.N		3/8"	10					
* 400	C.421027.G	C.421028.GC	C.421029.N	* 3/4"	3/4"	17	41,3	8,7	60	26	4100
	C.421021.G	C.421022.GC	C.421023.N		1/2"	12					
** 400	C.400027.G	C.400028.GC	C.400029.N	** 3/4"	3/4"	17	39,5	8,7	60	26	4100
	C.400021.G	C.400022.GC	C.400023.N		1/2"	12					
400	C.422033.G	C.422034.GC	C.422035.N	1"	1"	22	47,6	9,5	70	32	4131
	C.422027.G	C.422028.GC	C.422029.N		3/4"	17					
400	C.423042.G	C.423043.GC	C.423044.N	1" 1/4	1" 1/4	27	54	10,3	75	36	4150
	C.423033.G	C.423034.GC	C.423035.N		1"	22					
400	C.424048.G	C.424049.GC	C.424050.N	1" 1/2	1" 1/2	32	63,5	12,5	80	46	4187
	C.424042.G	C.424043.GC	C.424044.N		1" 1/4	27					
400	C.425060.G	C.425061.GC	C.425062.N	2"	2"	40	79,4	12,5	90	55	4225
	C.425048.G	C.425049.GC	C.425050.N		1" 1/2	32					

* = Solo per Flange ISO 6164-94 / Only ISO 6164-94 Flange
 Seulement pour Flanges ISO 6164-94 / Nur für ISO 6164-94 Flanschen

** = Solo per Flange CETOP / Only for Cetop Flange
 Seulement pour Flanges CETOP / Nur für CETOP-Flanschen

Per ordinare coduli:
 How to order straight adaptors:
 Pour commander collet:
 Bestellbeispiel für Gerade Adaptern:

C.....A
 C.....B