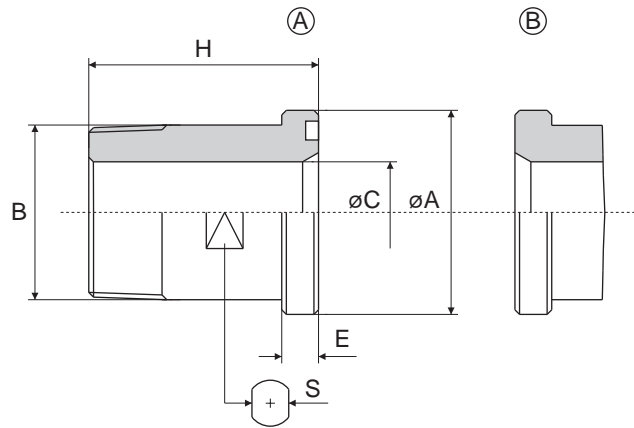
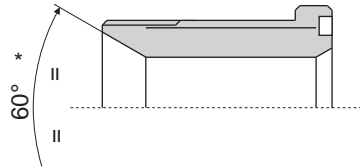


# Codulo filettato GAS-GAS conico - NPT per flange SAE



BSP and NPT threaded adaptor for SAE flanges  
 Collet taraudé BSP-NPT pour brides SAE  
 SAE Adatper mit Rohrgewinde oder NPT-Gewinde

\* Solo per tipi GAS  
 \* For type BSP only  
 \* Nur Für Type GAS



## Serie 3000 psi

Pressione max esercizio bar	Tipo / Type GAS	Tipo / Type GAS CONICO	Tipo / Type NPT	Size	B	C	A	E	H	S	OR O-RINGS
210	C.302521.G	C.302522.GC	C.302523.N	1/2"	1/2"	12	30,2	6,7	50	19	4075
	C.302517.G	C.302518.GC	C.302519.N		3/8"	10					
210	C.312527.G	C.312528.GC	C.312529.N	3/4"	3/4"	17	38,1	6,7	55	27	4100
	C.312521.G	C.312522.GC	C.312523.N		1/2"	12					
210	C.322533.G	C.322534.GC	C.322535.N	1"	1"	22	44,4	8	60	32	4131
	C.322527.G	C.322528.GC	C.322529.N		3/4"	17					
210	C.332542.G	C.332543.GC	C.332544.N	1" 1/4	1" 1/4	27	50,8	8	65	41	4150
	C.332533.G	C.332534.GC	C.332535.N		1"	22					
210	C.342548.G	C.342549.GC	C.342550.N	1" 1/2	1" 1/2	32	60,3	8	70	46	4187
	C.342542.G	C.342543.GC	C.342544.N		1" 1/4	27					
210	C.352560.G	C.352561.GC	C.352562.N	2"	2"	40	71,4	9,5	75	55	4225
	C.352548.G	C.352549.GC	C.352550.N		1" 1/2	32					

## Serie 6000 psi

Pressione max esercizio bar	Tipo / Type GAS	Tipo / Type GAS CONICO	Tipo / Type NPT	Size	B	C	A	E	H	S	OR O-RINGS
420	C.420021.G	C.420022.GC	C.420023.N	1/2"	1/2"	12	31,8	7,7	50	19	4075
	C.420017.G	C.420018.GC	C.420019.N		3/8"	10					
420	C.421027.G	C.421028.GC	C.421029.N	3/4"	3/4"	17	41,3	8,7	60	26	4100
	C.421021.G	C.421022.GC	C.421023.N		1/2"	12					
420	C.422033.G	C.422034.GC	C.422035.N	1"	1"	22	47,6	9,5	70	32	4131
	C.422027.G	C.422028.GC	C.422029.N		3/4"	17					
420	C.423042.G	C.423043.GC	C.423044.N	1" 1/4	1" 1/4	27	54	10,3	75	36	4150
	C.423033.G	C.423034.GC	C.423035.N		1"	22					
420	C.424048.G	C.424049.GC	C.424050.N	1" 1/2	1" 1/2	32	63,5	12,5	80	46	4187
	C.424042.G	C.424043.GC	C.424044.N		1" 1/4	27					
420	C.425060.G	C.425061.GC	C.425062.N	2"	2"	40	79,4	12,5	90	55	4225
	C.425048.G	C.425049.GC	C.425050.N		1" 1/2	32					

Per ordinazione coduli:

How to order adaptors:

Pour commander collet:

Bestellbeispiel für Gerade Adaptoren:

C.....A Con sede OR / With OR groove / Avec OR gorge / Mit Or Nut  
 C.....B Senza sede OR / Without OR groove / Sans OR gorge / Ohne Or Nut