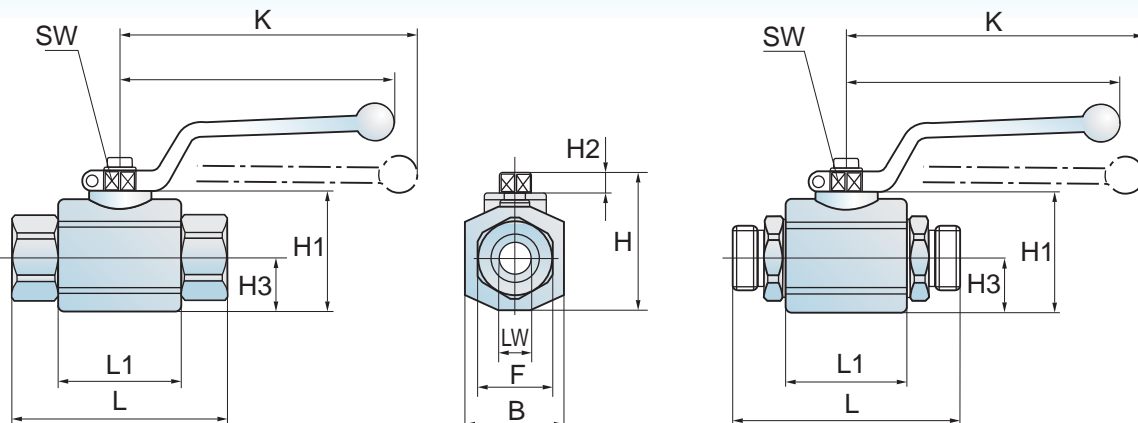
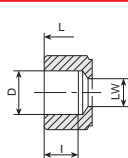
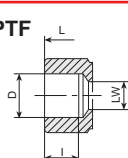
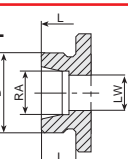
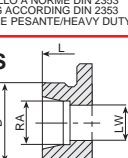


# Valvole a sfera monoblocco in acciaio stampato CRH I 2 Vie

## Two ways Ball Valves monobloc forged Steel CRH I



ATTACCO CONNECTION	TIPO TYPE	DN mm	LW mm	PN bar	D mm	RA mm	L mm	L1 mm	B mm	H mm	H1 mm	H2 mm	H3 mm	I mm	K mm	K1 mm	SW mm
	CRH I 2 R 25	25	24	350	1" BSP	-	113	67	60	80	63,5	11	13	20	150	160	14
	CRH I 2 R 32	32	32	350	1" 1/4 BSP	-	110	80	78	106	85	20	35	22	200	210	17
	CRH I 2 R 40	38	38	350	1" 1/2 BSP	-	130	85	83	112,5	92	15	41,5	24	200	210	17
	CRH I 2 R 50	48	48	350	2" BSP	-	140	100	100	132	111	20	50	28	200	210	19
	CRH I 2 N 25	24	24	350	1"-11,5NPT	-	119	67	60	80	63,6	11	30	20,5	150	160	14
	CRH I 2 N 32	32	32	350	1" 1/4-11,5NPT	-	110	80	78	106	85	20	39	25	200	210	17
	CRH I 2 N 40	38	38	350	1" 1/2-11,5NPT	-	130	85	83	112,5	92	15	41,5	27	200	210	17
	CRH I 2 N 50	48	48	350	2"-11,5 NPT	-	140	100	100	132	111	20	50	27	200	210	19
 <p>ANELLO A NORME DIN 2353 RING ACCORDING DIN 2353 SERIE PESANTE/HEAVY DUTY</p>	CRH I 2 EL 25	24	24	160	M 36x2	28	110	67	60	80	63,5	11	30	14	150	160	14
	CRH I 2 EL 32	32	32	160	M 45x2	35	126	80	78	106	85	20	39	16	200	210	17
	CRH I 2 EL 40	38	38	160	M 52x2	42	133	85	83	112,5	92	15	41,5	16	200	210	17
	CRH I 2 EL 50	48	48	160	M 52x2	42	140	100	100	132	111	20	50	26	200	210	19
 <p>ANELLO A NORME DIN 2353 RING ACCORDING DIN 2353 SERIE PESANTE/HEAVY DUTY</p>	CRH I 2 ES 25	24	24	350	M 42x2	30	124	67	60	80	63,5	11	30	20	150	160	14
	CRH I 2 ES 32	32	32	350	M 52x2	38	160	80	78	106	85	20	39	22	200	210	17
	CRH I 2 ES 40	38	38	350	M 52x2	38	165	85	83	112,5	92	15	41,5	26	200	210	17
	CRH I 2 ES 50	48	48	350	M 52x2	38	185	100	100	132	111	20	50	26	200	210	19

CRH I	2	R	25
Rubinetto a sfera, alta pressione e passaggio integrale High Pressure Ball Valve full flow (Forged type)	Vie / Ways *	Tipo Attacchi Connection Type	Diametro Nominale (Corpo valvola) Nominal Diameter (Valve body)
	2 = 2 Vie/ways	R = gas / BSP N = NPT	25 = 1" 32 = 1" 1/4 40 = 1" 1/2" 50 = 2"
* Disponibile solo a 2 vie / Available only 2 ways valve is available ** Disponibili dal 1/2" (13) al 2" (50) / Available from 1/2" (13) to 2" (50)		EL = DIN 2353 Serie leggera / Light duty ES = DIN 2353 Serie pesante / Heavy duty	
Valvole tipo R, N, EL, ES: fosfatato nero Valve type R, N, EL, ES: Black phosphated Valvole tipo S3, S4, C3, C4: zincate trivalenti Valve type S3, S4, C3, C4: Cr3 zinc plated		S3 = FlangiaSAE 3000psi / SAE flange 3000psi ** S4 = Flangia SAE 6000psi / SAE adaptor 6000psi ** C3 = Codulo SAE 3000psi / SAE adaptor 3000psi ** C4 = Codulo SAE 6000psi / SAE adaptor 6000psi **	

