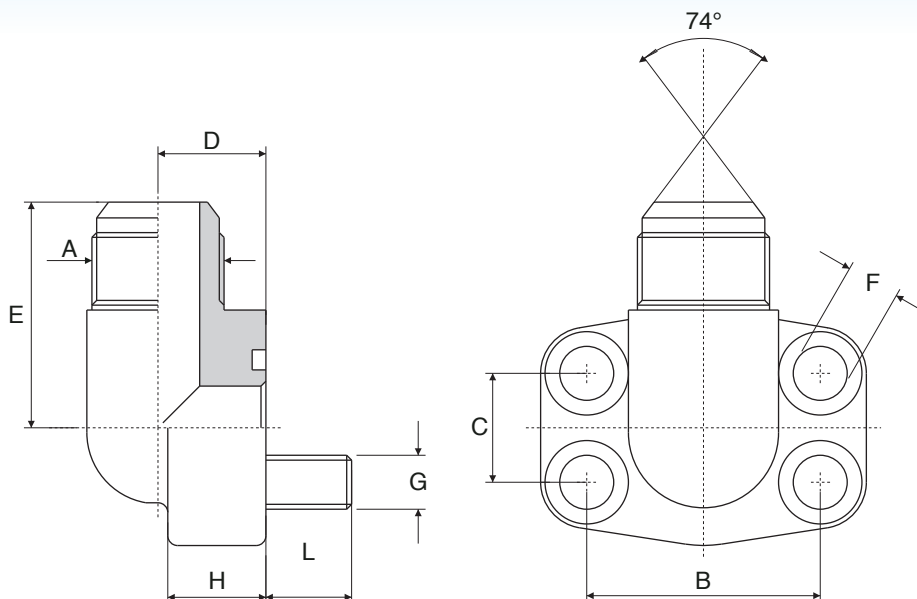


90° flange to male JIC

Bride à 90° taraudée JIC

90° Winkelflansch mit JIC-Aussengewinde



Serie 3000 psi

Pressione max esercizio bar	Tipo Type	S.A.E.	A	B	C	D	E	F	G Viti / Bolts		H	L	OR O-RING
									Metr.	UNC			
348	JIC-300-90°-A	1/2"	3/4" - 16	38,1	17,5	17	40	9	M 8	5/16"	16	14	4075
	JIC-300-90°-B		7/8" - 14			17	42						
	JIC-300-90°-C		1" 1/16 - 12			20	43						
348	JIC-301-90°-A	3/4"	7/8" - 14	47,6	22,3	20	45	11	M10	3/8"	18	14	4100
	JIC-301-90°-B		1" 1/16 - 12			20	47						
	JIC-301-90°-C		1" 5/16 - 12			25	48						
348	JIC-302-90°-A	1"	1" 1/16 - 12	52,4	26,2	20	50	11	M10	3/8"	19	15	4131
	JIC-302-90°-B		1" 5/16 - 12			25	51						
278	JIC-304-90°-A	1" 1/4	1" 5/16 - 12	58,7	30,2	25	56	11,5	M10	7/16"	22	18	4150
	JIC-304-90°-B		1" 5/8 - 12			31	58						
	JIC-304-90°-C		1" 7/8 - 12			32	61						
210	JIC-306-90°-A	1" 1/2	1" 5/8 - 12	69,9	35,7	31	63	13,5	M12	1/2"	25	20	4187
	JIC-306-90°-B		1" 7/8 - 12			37	66						

Serie 6000 psi

Pressione max esercizio bar	Tipo Type	S.A.E.	A	B	C	D	E	F	G Viti / Bolts		H	L	OR O-RING
									Metr.	UNC			
420	JIC-600-90°-A	1/2"	3/4" - 16	40,5	18,2	17	40	9	M 8	5/16"	16	14	4075
	JIC-600-90°-B		7/8" - 14			17	42						
	JIC-600-90°-C		1" 1/16 - 12			20	43						
420	JIC-601-90°-A	3/4"	7/8" - 14	50,8	23,8	20	49	11	M10	3/8"	19	14	4100
	JIC-601-90°-B		1" 1/16 - 12			20	51						
	JIC-601-90°-C		1" 5/16 - 12			25	52						
420	JIC-602-90°-A	1"	1" 1/16 - 12	57,2	27,8	25	55	13	M12	7/16"	24	18	4131
	JIC-602-90°-B		1" 5/16 - 12			25	56						
	JIC-602-90°-C		1" 5/8 - 12			31	58						
420	JIC-604-90°-A	1" 1/4	1" 5/16 - 12	66,6	31,6	31	56	15	M14	1/2"	25	18	4150
	JIC-604-90°-B		1" 5/8 - 12			33	63						
	JIC-604-90°-C		1" 7/8 - 12			37	63						
420	JIC-606-90°-A	1" 1/2	1" 5/8 - 12	79,3	36,5	37	67	17	M16	5/8"	26	20	4187
	JIC-606-90°-B		1" 7/8 - 12			37	70						

Per ordinazione flange: / Ordering Examples: / Pour commander brides: / Bestellbeispiel für Flansche:

Solo flangiaJIC...
 Only flangeJIC...
 Seulement bride ...JIC...
 Nur FlanschJIC...

Flangia completa di viti UNC, rondelle e ORJIC...U
 Complete flange with UNC screws, washers and o-ringJIC...U
 Bride complete des vis UNC, rondelles et ORJIC...U
 Flansch einschl. UNC-Schrauben, Federringen und O-Ring ...JIC...U

Flangia completa di viti metriche, rondelle e ORJIC...M
 Complete flange with metrical screws, washers and o-ringJIC...M
 Bride complete des vis métriques, rondelles et ORJIC...M
 Flansch einschl. Metrischen Zylinderschrauben, Federringen und O-Ring ...JIC...M