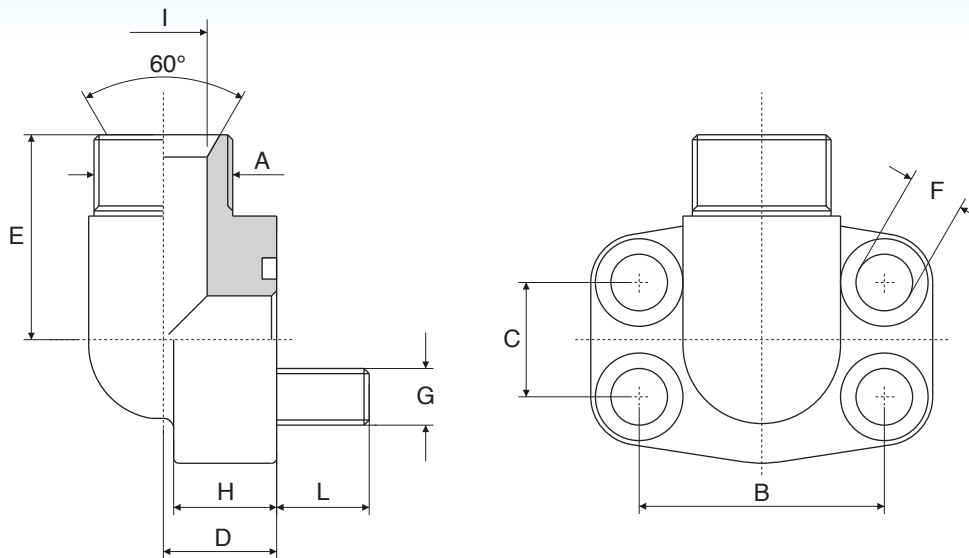


# Flangia a 90° filettata GAS esterno

90° Flange to BSP male

Bride à 90° taraudée BSP mâle

90° Winkelflansch mit BSP-Aussengewinde



## Serie 3000 psi

Pressione max esercizio bar	Tipo Type	S.A.E.	A	B	C	D	E	F	G Viti / Bolts		H	I	L	OR O-RING
									Metr.	UNC				
348	FGE-300-90°-A	1/2"	3/8"	38,1	17,5	17	37	9	M8	5/16"	16	10	14	4075
	FGE-300-90°-B		1/2"			17	39					12		
	FGE-300-90°-C		3/4"			20	40					13		
348	FGE-301-90°-A	3/4"	1/2"	47,6	22,3	22	41	11	M10	3/8"	18	12	14	4100
	FGE-301-90°-B		3/4"			22	44					17		
	FGE-301-90°-C		1"			25	45					19		
348	FGE-302-90°-A	1"	3/4"	52,4	26,2	28	47	11	M10	3/8"	19	17	14	4131
	FGE-302-90°-B		1"			25	48					22		
	FGE-302-90°-C		1" 1/4			30	49					25		
278	FGE-304-90°-A	1" 1/4	1"	58,7	30,2	25	54	11,5	M10	7/16"	22	22	18	4150
	FGE-304-90°-B		1" 1/4			31	55					27		
	FGE-304-90°-C		1" 1/2			28	56					31		
210	FGE-306-90°-A	1" 1/2	1" 1/4	69,9	35,7	31	59	13,5	M12	1/2"	25	27	18	4187
	FGE-306-90°-B		1" 1/2			37	61					34		

## Serie 6000 psi

Pressione max esercizio bar	Tipo Type	S.A.E.	A	B	C	D	E	F	G Viti / Bolts		H	I	L	OR O-RING
									Metr.	UNC				
420	FGE-600-90°-A	1/2"	3/8"	40,5	18,2	17	37	9	M8	5/16"	16	10	14	4075
	FGE-600-90°-B		1/2"			17	39					12		
	FGE-600-90°-C		3/4"			20	40					13		
420	FGE-601-90°-A	3/4"	1/2"	50,8	23,8	20	45	11	M10	3/8"	19	12	14	4100
	FGE-601-90°-B		3/4"			25	48					17		
	FGE-601-90°-C		1"			25	50					19		
420	FGE-602-90°-A	1"	3/4"	57,2	27,8	25	52	13	M12	7/16"	24	17	18	4131
	FGE-602-90°-B		1"			25	54					22		
	FGE-602-90°-C		1" 1/4			31	52,5					25		
420	FGE-604-90°-A	1" 1/4	1"	66,6	31,8	31	59	15	M14	1/2"	25	22	18	4150
	FGE-604-90°-B		1" 1/4			31	59					27		
	FGE-604-90°-C		1" 1/2			37	61					31		
420	FGE-606-90°-A	1" 1/2	1" 1/4	79,3	36,5	37	64	17	M16	5/8"	26	27	20	4187
	FGE-606-90°-B		1" 1/2			37	66					32		

Per ordinazione flange: / Ordering Examples: / Pour commander brides: / Bestellbeispiel für Flansche:

Solo flangia .....FGE... Flangia completa di viti UNC, rondelle e OR .....FGE...U  
 Only flange .....FGE... Complete flange with UNC screws, washers and o-ring .....FGE...U  
 Seulement bride .....FGE... Bride complete des vis UNC, rondelles et OR .....FGE...U  
 Nur Flansch .....FGE... Flansch einschl. UNC-Schrauben, Federringen und O-Ring ...FGE...U

Flangia completa di viti metriche, rondelle e OR .....FGE...M  
 Complete flange with metrical screws, washers and o-ring .....FGE...M  
 Bride complete des vis métriques, rondelles et OR .....FGE...M  
 Flansch einschl. Metrischen Zylinderschrauben, Federringen und O-Ring ...FGE...M