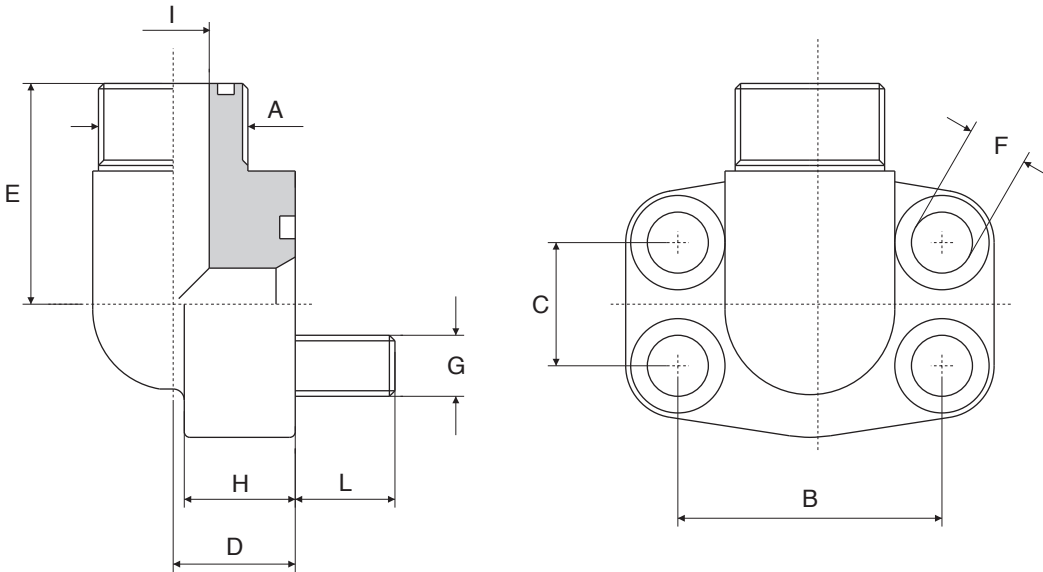


Flangia a 90° tenuta frontale OR

90° flange O-Ring face seal

Bride à 90° ORFS

90° Flansch O-Ring flachdichtend



Serie 3000 psi

Pressione max esercizio bar	Tipo Type	S.A.E.	A	B	C	D	E	F	G Viti / Bolts		H	I	L	OR O-RING
									Metr.	UNC				
348	ORFS.300-90°-A	1/2"	11/16"-16	38,1	17,5	17	37	9	M 8	5/16"	16	6	14	4075
	ORFS.300-90°-B		13/16"-16									9		
	ORFS.300-90°-C		1" -14									12		
348	ORFS.301-90°-A	3/4"	1" -14	47,6	22,3	20	44	11	M10	3/8"	18	12	14	4100
	ORFS.301-90°-B		1" 3/16 -12								25	45		
348	ORFS.302-90°-A	1"	1" 3/16 -12	52,4	26,2	25	48	11	M10	3/8"	22	15	14	4131
	ORFS.302-90°-B		1" 7/16 -12								31	42,5		
278	ORFS.304-90°-A	1"1/4	1" 7/16 -12	58,7	30,2	31	55	11,5	M10	7/16"	22	20	18	4150
	ORFS.304-90°-B		1" 11/16 -12								36	59		
210	ORFS.306-90°-A	1"1/2	1" 11/16 -12	69,9	35,7	36	59	13,5	M12	1/2"	25	26	18	4187
	ORFS.306-90°-B		2" -12								37	61		

Serie 6000 psi

Pressione max esercizio bar	Tipo Type	S.A.E.	A	B	C	D	E	F	G Viti / Bolts		L	H	L	OR O-RING
									Metr.	UNC				
420	ORFS.600-90°-A	1/2"	11/16"-16	40,5	18,2	17	37	9	M 8	5/16"	16	6	14	4075
	ORFS.600-90°-B		13/16"-16									9		
	ORFS.600-90°-C		1" -14									12		
420	ORFS.601-90°-A	3/4"	1" -14	50,8	23,8	20	48	11	M10	3/8"	19	12	14	4100
	ORFS.601-90°-B		1" 3/16 -12								25	50		
420	ORFS.602-90°-A	1"	1" 3/16 -12	57,2	27,8	25	54	13	M12	7/16"	24	15	18	4131
	ORFS.602-90°-B		1" 7/16 -12								31	55		
420	ORFS.604-90°-A	1"1/4	1" 7/16 -12	66,6	31,8	31	59	15	M14	1/2"	25	20	18	4150
	ORFS.604-90°-B		1" 11/16 -12								36	64		
420	ORFS.606-90°-A	1"1/2	1" 11/16 -12	79,3	36,5	37	64	17	M16	5/8"	26	26	20	4187
	ORFS.606-90°-B		2" -12								66	66		

Per ordinazione flange: / Ordering Examples: / Pour commander brides: / Bestellbeispiel für Flansche:

Solo flangiaORFS...
 Only flangeORFS...
 Seulement brideORFS...
 Nur FlanschORFS...

Flangia completa di viti UNC, rondelle e ORORFS...U
 Complete flange with UNC screws, washers and o-ringORFS...U
 Bride complete des vis UNC, rondelles et ORORFS...U
 Flansch einschl. UNC-Schrauben, Federringen und O-Ring ...ORFS...U

Flangia completa di viti metriche, rondelle e ORORFS...M
 Complete flange with metrical screws, washers and o-ringORFS...M
 Bride complete des vis métriques, rondelles et ORORFS...M
 Flansch einschl. Metrischen Zylinderschrauben, Federringen und O-Ring ...ORFS...M

