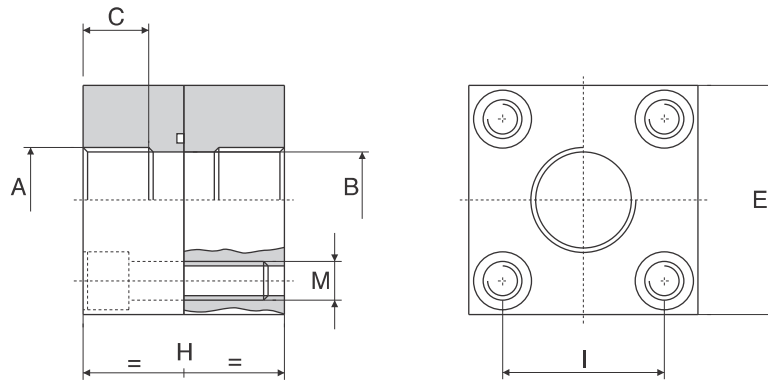


Doppie flange CETOP filettate



CETOP threaded double flanges
 Doubles brides CETOP taraudées
 CETOP Doppel Gewindeflanschverbinder



serie 250 bar

Pressione max esercizio bar	Tipo / Type		Size	A	B	C	E	H	I		M		OR O-RINGS
	GAS	NPT							CETOP	SID	CETOP	SID	
250	DFC.23813-G	DFC.23814-N	3/8"	1/4"	10	12	40	46	24,7	24,7	M 6 x 35	M 6 x 35	3068
	DFC.23817-G	DFC.23818-N		3/8"	12	13							
250	DFC.21217-G	DFC.21218-N	1/2"	3/8"	13	13	45	64	29,7	30	M 8 x 50	M 6 x 50	4075
	DFC.21221-G	DFC.21222-N		1/2"	14	15							
250	DFC.23421-G	DFC.23422-N	3/4"	1/2"	18	15	50	64	35,3	35	M 8 x 50	M 8 x 50	4100
	DFC.23427-G	DFC.23428-N		3/4"	20	18							
250	DFC.21027-G	DFC.21028-N	1"	3/4"	22	18	65	72	43,8	44	M10 x 60	M10 x 60	4131
	DFC.21034-G	DFC.21035-N		1"	25	20							
250	DFC.21434-G	DFC.21435-N	1" 1/4	1"	28	20	75	76	51,6	52	M12 x 60	M12 x 60	4150
	DFC.21442-G	DFC.21443-N		1" 1/4	32	22							
250	DFC.21242-G	DFC.21243-N	1" 1/2	1" 1/4	36	22	85	84	60	60	M14 x 70	M12 x 70	4187
	DFC.21249-G	DFC.21250-N		1" 1/2	38	24							
250	DFC.22049-G	DFC.22050-N	2"	1" 1/2	43	24	100	88	69,4	68	M16 x 70	M14 x 70	4225
	DFC.22060-G	DFC.22061-N		2"	47	27							

serie 400 bar

Pressione max esercizio bar	Tipo / Type		Size	A	B	C	E	H	I		M		OR O-RINGS
	GAS	NPT							CETOP	SID	CETOP	SID	
400	DFC.43813-G	DFC.43814-N	3/8"	1/4"	10	12	40	46	24,7	24,7	M 6 x 35	M 6 x 35	3068
	DFC.43817-G	DFC.43818-N		3/8"	12	13							
400	DFC.41217-G	DFC.41218-N	1/2"	3/8"	13	13	45	64	29,7	30	M 8 x 50	M 6 x 50	4075
	DFC.41221-G	DFC.41222-N		1/2"	14	15							
400	DFC.43421-G	DFC.43422-N	3/4"	1/2"	18	15	50	64	35,3	35	M 8 x 50	M 8 x 50	4100
	DFC.43427-G	DFC.43428-N		3/4"	20	18							
400	DFC.41027-G	DFC.41028-N	1"	3/4"	22	18	65	72	43,8	44	M10 x 60	M10 x 60	4131
	DFC.41034-G	DFC.41035-N		1"	25	20							
400	DFC.41434-G	DFC.41435-N	1" 1/4	1"	28	20	75	76	51,6	52	M12 x 60	M12 x 60	4150
	DFC.41442-G	DFC.41443-N		1" 1/4	32	22							
400	DFC.41242-G	DFC.41243-N	1" 1/2	1" 1/4	36	22	85	84	60	60	M14 x 65	M12 x 70	4187
	DFC.41249-G	DFC.41250-N		1" 1/2	38	24							
400	DFC.42049-G	DFC.42050-N	2"	1" 1/2	43	24	100	88	69,4	68	M16 x 70	M14 x 70	4225
	DFC.42060-G	DFC.42061-N		2"	47	27							

Per ordinare le flange, specificare se CETOP o SID
 Ordering flanges, specify if CETOP or SID
 Pour commander brides, indiquer s'il vous plait si CETOP ou SID
 Um Flansche zu bestellen, bitte CETOP oder SID Ausführung angeben

Es.: CETOP DFC.....G
 Es.: SID DFC.....G