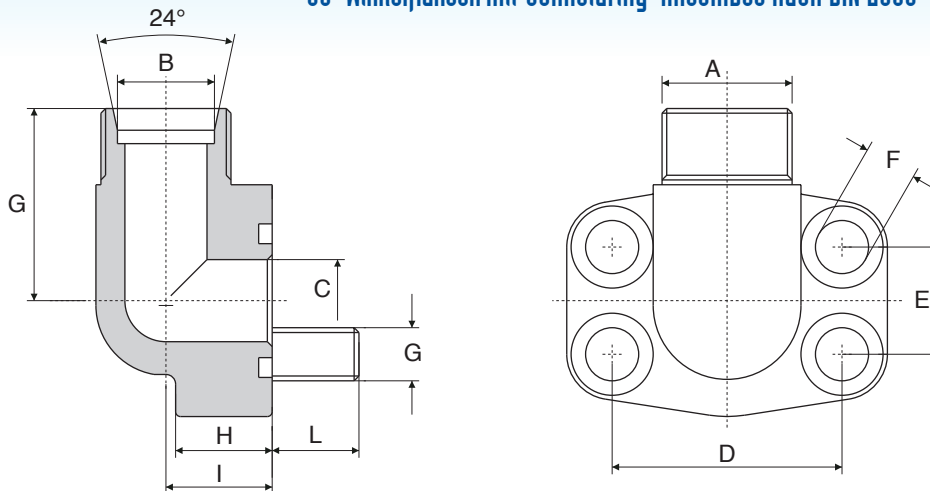


Flangia a 90° filettata metrica DIN 2353

90° flange with metric thread in accordance with DIN 2353

Bride à 90° taraudée métrique DIN 2353

90° Winkelflansch mit Schneidring-Anschluss nach DIN 2353



La misura "B" può essere variata a seconda delle esigenze del cliente.
Measurement "B" can be changed according to customer's requests.
La mesure "B" peut être changé selon les exigences de la clientèle.
Auch für andere abmessungen "B" nach Vorgabe Lieferbar.

Serie 3000 psi

| Pressione max esercizio bar | Tipo Type | S.A.E. | A | B | C | D | E | F | G | H | I | G Viti / Bolts | | L | OR O-RING |
|-----------------------------|-------------|--------|--------|----|----|------|------|------|----|----|----|----------------|-------|----|-----------|
| | | | | | | | | | | | | Metr. | UNC | | |
| 348 | FME-300-12S | 1/2" | 20x1,5 | 12 | 8 | 38,1 | 17,5 | 9 | 36 | 16 | 18 | M 8 | 5/16" | 14 | 4075 |
| | FME-300-15L | | 22x1,5 | 15 | 11 | | | | | | | | | | |
| | FME-300-16S | | 24x1,5 | 16 | 12 | | | | | | | | | | |
| 348 | FME-301-16S | 3/4" | 24x1,5 | 16 | 12 | 47,6 | 22,3 | 11 | 38 | 18 | 22 | M10 | 3/8" | 14 | 4100 |
| | FME-301-20S | | 30x2 | 20 | 16 | | | | | | | | | | |
| | FME-301-22L | | 30x2 | 22 | 18 | | | | | | | | | | |
| 348 | FME-302-20S | 1" | 30x2 | 20 | 16 | 52,4 | 26,2 | 11 | 42 | 19 | 28 | M10 | 3/8" | 14 | 4131 |
| | FME-302-25S | | 36x2 | 25 | 20 | | | | | | | | | | |
| | FME-302-28L | | 36x2 | 28 | 23 | | | | | | | | | | |
| 278 | FME-304-25S | 1 1/4" | 36x2 | 25 | 20 | 58,7 | 30,2 | 11,5 | 50 | 22 | 30 | M10 | 7/16" | 18 | 4150 |
| | FME-304-30S | | 42x2 | 30 | 25 | | | | | | | | | | |
| | FME-304-35L | | 45x2 | 35 | 30 | | | | | | | | | | |
| 210 | FME-306-35L | 1 1/2" | 45x2 | 35 | 30 | 69,9 | 35,7 | 13,5 | 58 | 25 | 36 | M12 | 1/2" | 18 | 4187 |
| | FME-306-38S | | 52x2 | 38 | 32 | | | | | | | | | | |
| | FME-306-42L | | 52x2 | 42 | 36 | | | | | | | | | | |

Serie 6000 psi

| Pressione max esercizio bar | Tipo Type | S.A.E. | A | B | C | D | E | F | G | H | I | G Viti / Bolts | | L | OR O-RING |
|-----------------------------|-------------|--------|--------|----|----|------|------|----|----|----|----|----------------|-------|----|-----------|
| | | | | | | | | | | | | Metr. | UNC | | |
| 420 | FME-600-12S | 1/2" | 20x1,5 | 12 | 8 | 40,5 | 18,2 | 9 | 36 | 16 | 20 | M 8 | 5/16" | 14 | 4075 |
| | FME-600-14S | | 22x1,5 | 14 | 10 | | | | | | | | | | |
| | FME-600-16S | | 24x1,5 | 16 | 12 | | | | | | | | | | |
| 420 | FME-601-16S | 3/4" | 24x1,5 | 16 | 12 | 50,8 | 23,8 | 11 | 41 | 22 | 26 | M10 | 3/8" | 14 | 4100 |
| | FME-601-20S | | 30x2 | 20 | 20 | | | | | | | | | | |
| | FME-601-22L | | 30x2 | 22 | 23 | | | | | | | | | | |
| 420 | FME-602-20S | 1" | 30x2 | 20 | 16 | 57,2 | 27,8 | 13 | 50 | 24 | 30 | M12 | 7/16" | 14 | 4131 |
| | FME-602-25S | | 36x2 | 25 | 20 | | | | | | | | | | |
| | FME-602-28L | | 36x2 | 28 | 23 | | | | | | | | | | |
| 420 | FME-604-25S | 1 1/4" | 36x2 | 25 | 20 | 66,6 | 31,8 | 15 | 58 | 25 | 36 | M14 | 1/2" | 18 | 4150 |
| | FME-604-30S | | 42x2 | 30 | 25 | | | | | | | | | | |
| | FME-604-35L | | 45x2 | 35 | 30 | | | | | | | | | | |
| 420 | FME-606-30S | 1 1/2" | 42x2 | 30 | 25 | 79,3 | 36,5 | 17 | 65 | 26 | 41 | M16 | 5/8" | 18 | 4187 |
| | FME-606-38S | | 52x2 | 38 | 32 | | | | | | | | | | |
| | FME-606-42L | | 52x2 | 42 | 36 | | | | | | | | | | |

Per ordinazione flange: / Ordering Examples: / Pour commander brides: / Bestellbeispiel für Flansche:

Solo flangiaFME... -
Only flangeFME... -
Seulement bride ...FME... -
Nur FlanschFME... -

Flangia completa di viti UNC, rondelle e ORFME...U
Complete flange with UNC screws, washers and o-ringFME...U
Bride complete des vis UNC, rondelles et ORFME...U
Flansch einsch. UNC-Schrauben, Federringen und O-Ring ...FME...U

Flangia completa di viti metriche, rondelle e ORFME...M
Complete flange with metric screws, washers and o-ringFME...M
Bride complete des vis métriques, rondelles et ORFME...M
Flansch einsch. Metrischen Zylinderschrauben, Federringen und O-Ring ...FME...M