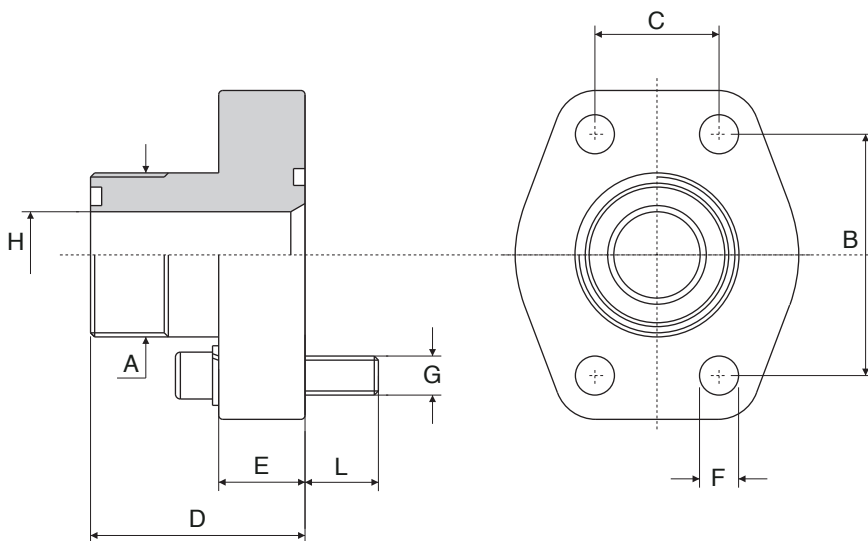


Flangia a tenuta frontale ORFS

Straight flange O-Ring face seal

Bride ORFS

Gerader Flansch O-Ring flachdichtend



Serie 3000 psi

Pressione max esercizio bar	Tipo Type	S.A.E.	A	B	C	D	E	F	G Viti / Bolts		H	L	OR O-RING
									Metr.	UNC			
348	ORFS.080-A	1/2"	11/16" -16	38,1	17,5	37	16	9	M8	5/16"	6	14	4075
	ORFS.080-B		13/16" -16			39					9		
	ORFS.080-C		1" -14			42					12		
348	ORFS.100-A	3/4"	1" -14	47,6	22,3	45	18	11	M10	3/8"	12	14	4100
	ORFS.100-B		1" 3/16 -12			47					15		
348	ORFS.102-A	1"	1" 3/16 -12	52,4	26,2	49	18	11	M10	3/8"	15	14	4131
	ORFS.102-B		1" 7/16 -12								20		
278	ORFS.104-A	1"1/4	1" 7/16 -12	58,7	30,2	53	21	11,5	M10	7/16"	20	18	4150
	ORFS.104-B		1" 11/16 -12								26		
210	ORFS.106-A	1"1/2	1" 11/16 -12	69,9	35,7	61	24	13,5	M12	1/2"	26	19	4187
	ORFS.106-B		2" -12								32		

Serie 6000 psi

Pressione max esercizio bar	Tipo Type	S.A.E.	A	B	C	D	E	F	G Viti / Bolts		H	L	OR O-RING
									Metr.	UNC			
420	ORFS.401-A	1/2"	11/16" -16	40,5	18,2	38	16	9	M8	5/16"	6	14	4075
	ORFS.401-B		13/16" -16			40					9		
	ORFS.401-C		1" -14			43					12		
420	ORFS.402-A	3/4"	1" -14	50,8	23,8	47	18	11	M10	3/8"	12	14	4100
	ORFS.402-B		1" 3/16 -12			49					15		
420	ORFS.403-A	1"	1" 3/16 -12	57,2	27,8	56	21	13	M12	7/16"	15	18	4131
	ORFS.403-B		1" 7/16 -12								20		
420	ORFS.404-A	1"1/4	1" 7/16 -12	66,6	31,8	61	24	15	M14	1/2"	20	18	4150
	ORFS.404-B		1" 11/16 -12								26		
420	ORFS.405-A	1"1/2	1" 11/16 -12	79,3	36,5	65	27	17	M16	5/8"	26	20	4187
	ORFS.405-B		2" -12			67					32		

Per ordinazione flange: / Ordering Examples: / Pour commander brides: / Bestellbeispiel für Flansche:

Solo flangiaORFS... Flangia completa di viti UNC, rondelle e ORORFS...U Flangia completa di viti metriche, rondelle e ORORFS...M
 Only flangeORFS... Complete flange with UNC screws, washers and o-ringORFS...U Complete flange with metrical screws, washers and o-ringORFS...M
 Seulement bride ...ORFS... Bride complete des vis UNC, rondelles et ORORFS...U Bride complete des vis métriques, rondelles et ORORFS...M
 Nur FlanschORFS... Flansch einschl. UNC-Schrauben, Federringen und O-Ring ...ORFS...U Flansch einschl. Metrischen Zylinderschrauben, Federringen und O-Ring ...ORFS...M