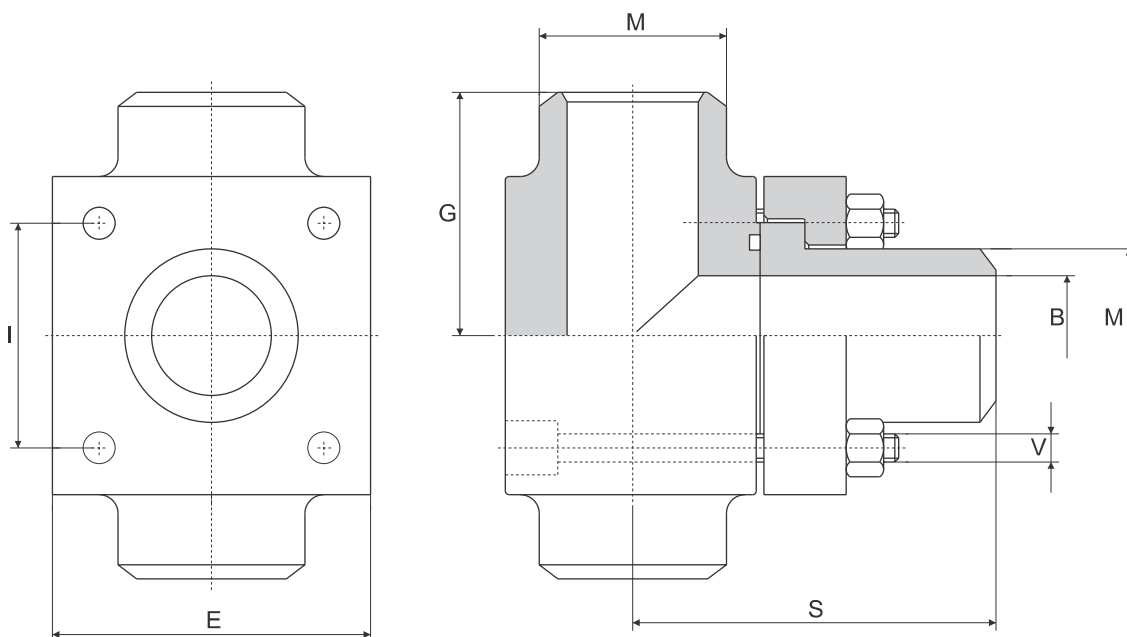


Flange CETOP a T con codulo a saldare di testa

T - CETOP flanges with butt welding adaptor
 Brides CETOP à T avec collet bout à bout
 CETOP -T- Flansche mit Schweissanschluss



Serie 250 bar

| Pressione max esercizio bar | Tipo Type | Size | B | M | S | G | E | I | | V | | OR O-RINGS |
|-----------------------------|--------------|--------|------|----|-----|-----|-----|-------|------|-----------|-----------|------------|
| | | | | | | | | CETOP | SID | CETOP | SID | |
| 250 | AT.203017-ST | 3/8" | 12,5 | 18 | 52 | 32 | 40 | 24,7 | - | M 6 x 40 | - | 3068 |
| 250 | AT.203021-ST | 1/2" | 15 | 22 | 62 | 40 | 45 | 29,7 | 30 | M 8 x 50 | M 6 x 50 | 4075 |
| 250 | AT.203027-ST | 3/4" | 20 | 28 | 69 | 42 | 50 | 35,3 | 35,3 | M 8 x 55 | M 8 x 55 | 4100 |
| 250 | AT.203033-ST | 1" | 25 | 35 | 79 | 50 | 65 | 43,8 | 43,8 | M10 x 70 | M10 x 70 | 4131 |
| 250 | AT.203042-ST | 1" 1/4 | 32 | 43 | 90 | 56 | 75 | 51,6 | 51,6 | M12 x 90 | M12 x 90 | 4150 |
| 250 | AT.203049-ST | 1" 1/2 | 38 | 50 | 99 | 65 | 85 | 60 | 60 | M14 x 100 | M12 x 100 | 4187 |
| 250 | AT.203060-ST | 2" | 47 | 62 | 112 | 75 | 100 | 69,4 | 68 | M16 x 120 | M14 x 120 | 4225 |
| 250 | AT.203075-ST | 2" 1/2 | 58 | 76 | 128 | 85 | 120 | 83,4 | 85 | M20 x 150 | M18 x 150 | 4275 |
| 250 | AT.203090-ST | 3" | 70 | 90 | 144 | 100 | 140 | 102,5 | 95 | M20 x 160 | M22 x 170 | 4337 |

Serie 400 bar

| Pressione max esercizio bar | Tipo Type | Size | B | M | S | G | E | I | V | OR O-RINGS |
|-----------------------------|--------------|--------|----|----|-----|-----|-----|-------|-----------|------------|
| | | | | | | | | | | |
| 400 | AT.403017-ST | 3/8" | 10 | 18 | 52 | 32 | 40 | 24,7 | M 6 x 45 | 3068 |
| 400 | AT.403021-ST | 1/2" | 13 | 22 | 62 | 40 | 45 | 29,7 | M 8 x 55 | 4075 |
| 400 | AT.403027-ST | 3/4" | 18 | 28 | 69 | 42 | 50 | 35,3 | M 8 x 60 | 4100 |
| 400 | AT.403033-ST | 1" | 22 | 35 | 79 | 50 | 65 | 43,8 | M10 x 70 | 4131 |
| 400 | AT.403042-ST | 1" 1/4 | 29 | 44 | 90 | 56 | 75 | 51,6 | M12 x 90 | 4150 |
| 400 | AT.403049-ST | 1" 1/2 | 35 | 51 | 99 | 65 | 85 | 60 | M14 x 100 | 4187 |
| 400 | AT.403060-ST | 2" | 43 | 61 | 112 | 75 | 100 | 69,4 | M16 x 130 | 4225 |
| 400 | AT.403075-ST | 2" 1/2 | 53 | 80 | 133 | 85 | 120 | 83,4 | M20 x 150 | 6275 |
| 400 | AT.403090-ST | 3" | 58 | 90 | 149 | 100 | 140 | 102,5 | M20 x 180 | 6300 |

Per ordinare le flange, specificare se CETOP o SID
 Ordering flanges, specify if CETOP or SID
 Pour commander brides, indiquer si il vous plait si CETOP ou SID
 Um Flansche zu bestellen, bitte CETOP oder SID Ausführung angeben

Es.: CETOP AT.....ST
 Es.: SID AT.....ST